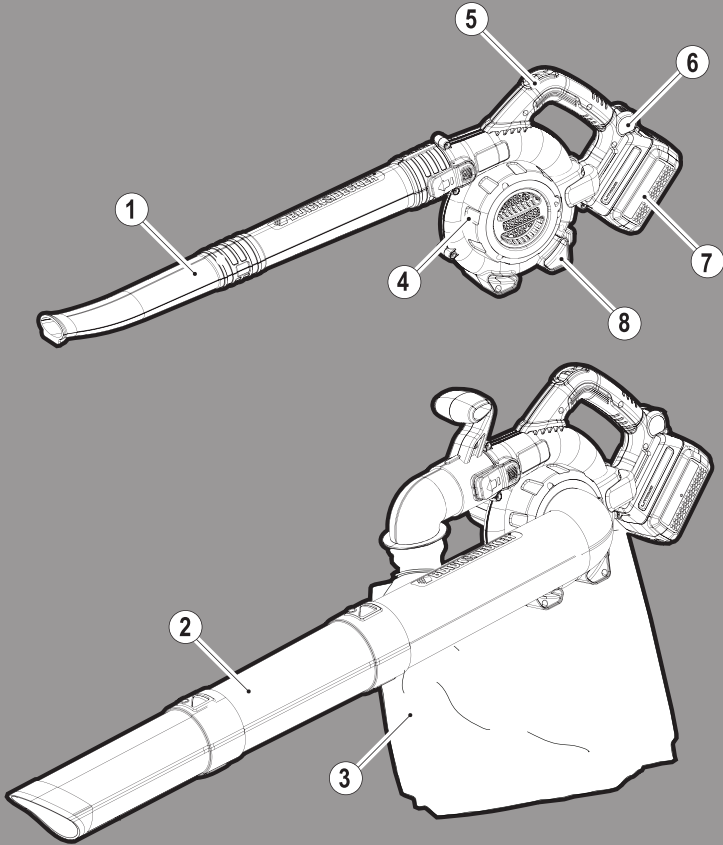
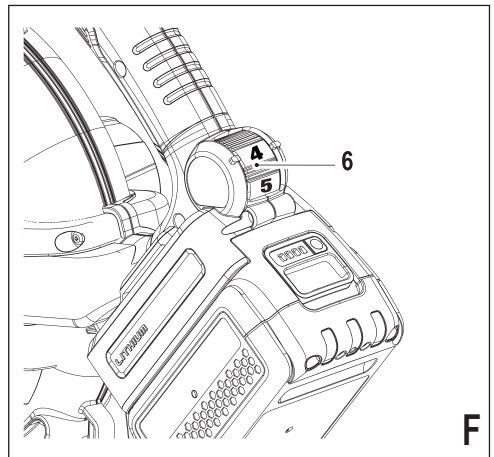
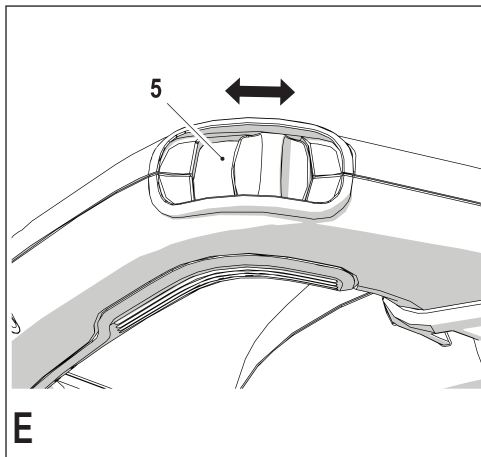
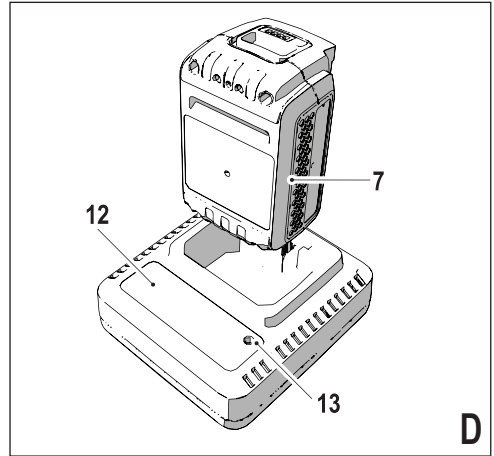
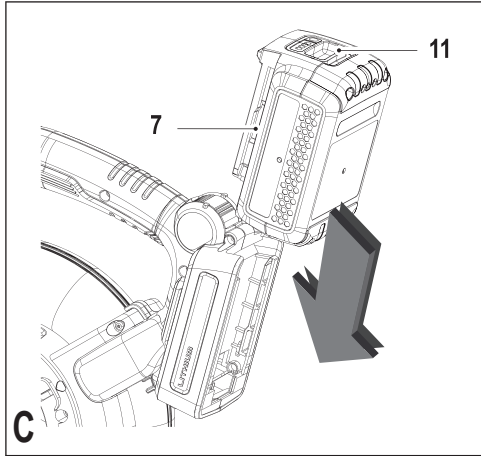
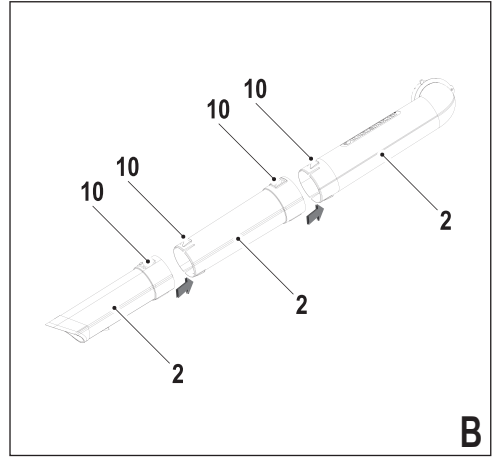
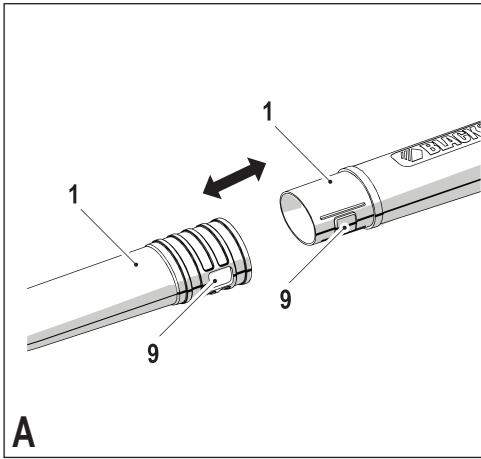
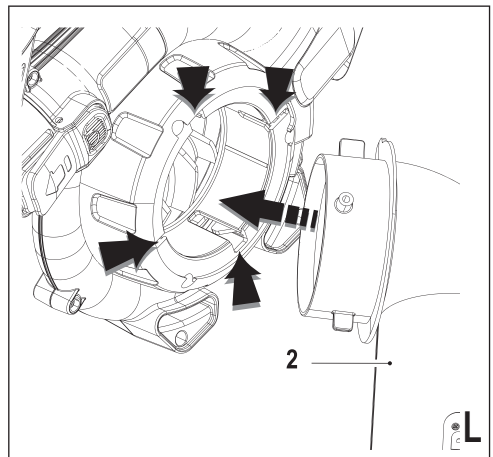
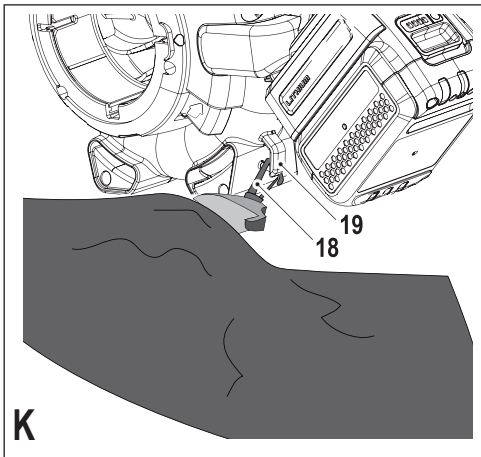
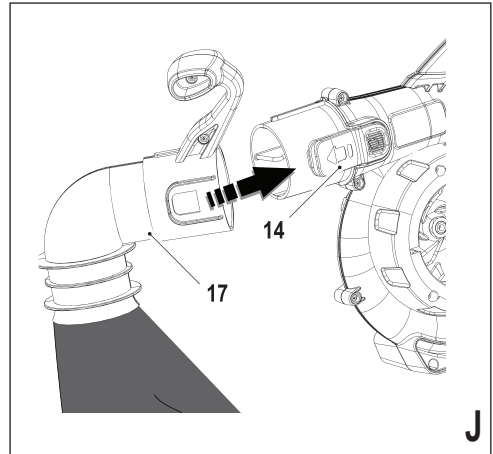
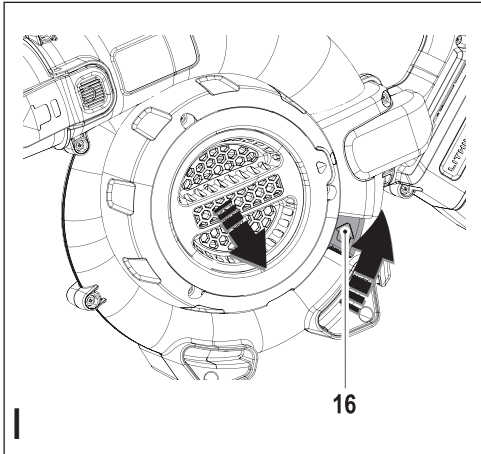
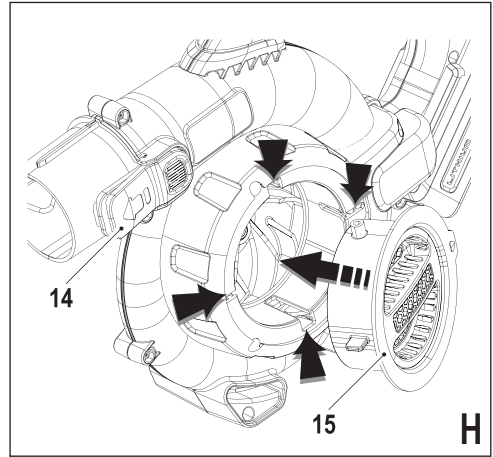
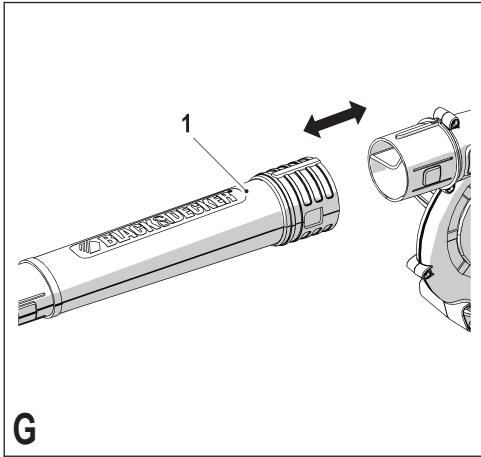




BLACK & DECKER®







Intended use

Your Black & Decker cordless sweeper has been designed for leaf clearing. This appliance is intended for consumer and outdoor use only.

General appliance safety warnings



Warning! When using mains-powered/cordless appliances, basic safety precautions, including the following, should always be followed to reduce the risk of fire, electric shock, personal injury and material damage.

- ◆ Read all of this manual carefully before using the appliance, be familiar with the controls and the proper use of the appliance.
- ◆ The intended use is described in this manual. The use of any accessory or attachment or the performance of any operation with this appliance other than those recommended in this instruction manual may present a risk of personal injury.

The term "appliance" in all of the warnings listed below refers to your mains operated (corded) appliance or battery operated (cordless) appliance.

Save all warnings and instructions for future reference.

Using your appliance

- ◆ **Always take care when using the appliance.**
- ◆ Keep work area clean and well lit. Cluttered or dark areas invite accidents.
- ◆ Only use the appliance in daylight or good artificial light.
- ◆ Do not operate your appliance in explosive atmospheres, such as in the presence of flammable liquids, gases or dust.
- ◆ Never allow children or people unfamiliar with the instructions to use the appliance, local regulations may restrict the age of the operator.
- ◆ Do not allow children or animals to come near the work area or touch the appliance supply cord.
- ◆ Keep children, bystanders and animals away while operating an appliance. Distractions can cause you to lose control.
- ◆ The appliance is not to be used as a toy.
- ◆ Do not immerse the appliance in water.
- ◆ Do not open body casing. There are no userserviceable parts inside.

Personal safety

- ◆ Stay alert, watch what you are doing and use common sense when operating an appliance. Do not use an appliance while you are tired or under the influence of drugs, alcohol or medication. A moment of inattention while operating an appliance may result in serious personal injury.
- ◆ Where required, use personal protective equipment. Protective equipment such as eye protection, dust mask, non-skid safety shoes, hard hat, or hearing protection used for appropriate conditions will reduce personal injuries.
- ◆ Prevent unintentional starting. Make sure that the switch is in the off-position before connecting to a power source and/or battery pack, picking up or carrying the appliance. Carrying appliances with your finger on the switch or energising appliances that have the switch on invites accidents.
- ◆ Do not overreach. Keep proper footing and balance at all times. This enables better control of the appliance in unexpected situations.
- ◆ Dress properly. Do not wear loose clothing or jewellery. Keep your hair, clothing and gloves away from moving parts. Loose clothes, jewellery or long hair can be caught in moving parts.

Appliance use and care

- ◆ Before use, check the appliance for damaged or defective parts. Check for breakage of parts, damage to switches and any other conditions that may affect its operation.
- ◆ Do not use the appliance if the switch does not turn it on and off. Any appliance that cannot be controlled with the switch is dangerous and must be repaired.
- ◆ Disconnect the plug from the power source and/or the battery pack from the appliance before making any adjustments, changing accessories, or storing appliances. Such preventive safety measures reduce the risk of starting the appliance accidentally.
- ◆ Where applicable, keep cutting tools sharp and clean. Properly maintained cutting tools with sharp cutting edges are less likely to bind and are easier to control.
- ◆ Do not use the appliance if any part is damaged or defective.
- ◆ Have any damaged or defective parts repaired or replaced by an authorised repair agent.
- ◆ Never attempt to remove or replace any parts other than those specified in this manual.

Electrical safety

- ◆ Appliance plugs must match the outlet. Never modify the plug in any way. Do not use any adapter plugs with earthed (grounded) appliance. Unmodified plugs and matching outlets will reduce risk of electric shock.

- ◆ Do not expose appliance to rain or wet conditions. Water entering a appliance will increase the risk of electric shock.
- ◆ Do not abuse the cord. Never use the cord for carrying, pulling or unplugging the appliance. Keep cord away from heat, oil, sharp edges or moving parts. Damaged or entangled cords increase the risk of electric shock.
- ◆ When operating an appliance outdoors, use an extension cord suitable for outdoor use. Use of a cord suitable for outdoor use reduces the risk of electric shock.
- ◆ If operating an appliance in a damp location is unavoidable, use a Residual Current Device (RCD) protected supply. Use of an RCD reduces the risk of electric shock.

After Use

- ◆ When not in use, the appliance should be stored in a dry, well ventilated place out of the reach of children.
- ◆ Children should not have access to stored appliances.
- ◆ When the appliance is stored or transported in a vehicle it should be placed in the boot or restrained to prevent movement following sudden changes in speed or direction.

Service

- ◆ Have your appliance serviced by a qualified repair person using only identical replacement parts. This will ensure that the safety of the appliance is maintained.

Additional Safety instructions for blow vacs

The intended use is described in this manual. The use of any accessory or attachment or performance of any operation with this appliance other than those recommended in this instruction manual can present a risk of personal injury and/or damage to property.

- ◆ To protect your feet and legs while operating the appliance, always wear heavy duty footwear and long trousers.
- ◆ Always switch off your product, allow the fan to stop and remove the plug from the socket when:
 - The supply cable has become damaged or entangled.
 - You leave your product unattended.
 - Checking, adjusting, cleaning or working on your product.
 - If the appliance starts to vibrate abnormally.
- ◆ Do not place the inlet or outlet of the sweeper near eyes or ears when operating. Never blow debris in the direction of bystanders.
- ◆ Do not use in the rain or leave outdoors while it is raining.
- ◆ Do not cross gravel paths or roads whilst your product is switched on during blow mode. Walk, never run.
- ◆ Do not place your unit down on gravel while it is switched on.
- ◆ Always be sure of your footing, particularly on slopes. Do not overreach and keep your balance at all times.

- ◆ Do not place any objects into the openings. Never use if the openings are blocked - keep free of hair, lint, dust and anything that may reduce the airflow.

Warning! Always use your product in the manner outlined in this manual. Your product is designed to be used in an upright mode and if it is used in any other way it may result in injury. Never run your product whilst lying on it's side or upside down.

- ◆ The operator or user is responsible for accidents or hazards occurring to other people or their property.
- ◆ Do not carry the appliance by the cable.
- ◆ Always direct the cable to the rear away from the appliance.

Warning! If a cord becomes damaged during use, disconnect the supply cord from the mains supply immediately. Do not touch the supply cord before disconnecting the supply.

- ◆ Do not use solvents or cleaning fluids to clean your product. Use a blunt scraper to remove grass and dirt.
- ◆ Replacement fans are available from a Black & Decker service agent. Use on Black & Decker recommended spare parts and accessories.
- ◆ Keep all nuts bolts and screws tight to make sure that the appliance is in a safe working condition.

Safety of others

- ◆ This appliance is not intended for use by persons (including children) with reduced physical, sensory or mental capabilities, or lack of experience and knowledge, unless they have been given supervision or instruction concerning use of the appliance by a person responsible for their safety.
- ◆ Children should be supervised to ensure that they do not play with the appliance.

Residual risks.

Additional residual risks may arise when using the tool which may not be included in the enclosed safety warnings. These risks can arise from misuse, prolonged use etc.

Even with the application of the relevant safety regulations and the implementation of safety devices, certain residual risks can not be avoided. These include:

- ◆ Injuries caused by touching any rotating/moving parts.
- ◆ Injuries caused when changing any parts, blades or accessories.
- ◆ Injuries caused by prolonged use of a tool. When using any tool for prolonged periods ensure you take regular breaks.
- ◆ Impairment of hearing.
- ◆ Health hazards caused by breathing dust developed when using your tool (example:- working with wood, especially oak, beech and MDF.)

Labels on Appliance

The following pictograms are shown on the tool:



Warning! Read the manual prior to operation.



Wear suitable ear protection when operating this appliance.



Do not expose the tool to rain or high humidity or leave outdoors while it is raining.



Switch the tool off. Before performing any maintenance on the tool, remove the battery from the tool.



Keep people and animals at least 6 m away from the work area.



Keep bystanders away.



Directive 2000/14/EC guaranteed sound power.

Additional safety instructions for batteries and chargers

Batteries

- ◆ Never attempt to open for any reason.
- ◆ Do not expose the battery to water.
- ◆ Do not expose the battery to heat.
- ◆ Do not store in locations where the temperature may exceed 40 °C.
- ◆ Charge only at ambient temperatures between 10 °C and 40 °C.
- ◆ Charge only using the charger provided with the appliance/tool. Using the wrong charger could result in an electric shock or overheating of the battery.
- ◆ When disposing of batteries, follow the instructions given in the section "Protecting the environment".

- ◆ Do not damage/deform the battery pack either by puncture or impact, as this may create a risk of injury and fire. Do not charge damaged batteries.
- ◆ Under extreme conditions, battery leakage may occur. When you notice liquid on the batteries Carefully wipe the liquid off using a cloth. Avoid skin contact.
- ◆ In case of skin or eye contact, follow the instructions below.

Warning! The battery fluid may cause personal injury or damage to property. In case of skin contact, immediately rinse with water. If redness, pain or irritation occurs seek medical attention. In case of eye contact, rinse immediately with clean water and seek medical attention.

Do not attempt to charge damaged batteries.



Chargers

Your charger has been designed for a specific voltage. Always check that the mains voltage corresponds to the voltage on the rating plate.

Warning! Never attempt to replace the charger unit with a regular mains plug.

- ◆ Use your Black & Decker charger only to charge the battery in the appliance/tool with which it was supplied. Other batteries could burst, causing personal injury and damage.
- ◆ Never attempt to charge non-rechargeable batteries.
- ◆ If the supply cord is damaged, it must be replaced by the manufacturer or an authorised Black & Decker Service Centre in order to avoid a hazard.
- ◆ Do not expose the charger to water.
- ◆ Do not open the charger.
- ◆ Do not probe the charger.
- ◆ The appliance/tool/battery must be placed in a well ventilated area when charging.



The charger is intended for indoor use only.



Read the instruction manual before use.

Electrical safety



Your charger is double insulated; therefore no earth wire is required. Always check that the mains voltage corresponds to the voltage on the rating plate. Never attempt to replace the charger unit with a regular mains plug.

- ◆ If the supply cord is damaged, it must be replaced by the manufacturer or an authorised Black & Decker Service Centre in order to avoid a hazard.

Features

1. Blow tube
2. Vac tube
3. Collection bag
4. Blow/Vac
5. On/Off switch
6. Power commander
7. Battery
8. Feet

Assembly



Warning! Before assembly, make sure that the appliance is switched off and the battery is removed.



Warning! Always wear protective gloves when working with your cordless sweeper.

Blow tube assembly (fig. A)

The blow tube (1) must be assembled before use.

- ◆ Align the latches (9) on the side of the blow tubes (1).
- ◆ Push the blow tube (1) firmly into each other until the latches (9) click into place.

Note! The tubes should not be separated once assembled.

Vac tube assembly (fig. B)

The vac tube (2) must be assembled before use.

- ◆ Align the latches (10) on the side of the vac tube (2).
- ◆ Push the vac tube (2) firmly into each other until the latches (10) click into place.

Note! The tubes should not be separated once assembled.

Fitting and removing the battery (fig. C)

- ◆ To fit the battery (7), line it up with the receptacle on the tool. Slide the battery into the receptacle and push until the battery snaps into place.
- ◆ To remove the battery, push the release button (11) while at the same time pulling the battery out of the receptacle.

Use

Warning! Let the tool work at its own pace. Do not overload.

Charging the battery (fig. D)

The battery needs to be charged before first use and whenever it fails to produce sufficient power on jobs that were easily done before. The battery may become warm while charging; this is normal and does not indicate a problem.

Warning! Do not charge the battery at ambient temperatures below 10 °C or above 40 °C. Recommended charging temperature: approx. 24 °C.

Note: The charger will not charge a battery if the cell temperature is below approximately 0 °C or above 40 °C. The battery should be left in the charger and the charger will begin to charge automatically when the cell temperature warms up or cools down.

- ◆ To charge the battery (7), insert it into the charger (12). The battery will only fit into the charger in one way. Do not force. Be sure that the battery is fully seated in the charger.
- ◆ Plug in the charger and switch on at the mains.

The charging indicator (13) will flash green continuously (slowly).

The charge is complete when the charging indicator (13) lights green continuously. The charger and the battery can be left connected indefinitely with the LED illuminated. The LED will change to flashing green (charging) state as the charger occasionally tops off the battery charge. The charging indicator (13) will be lit as long as the battery is connected to the plugged-in charger.

- ◆ Charge discharged batteries within 1 week. Battery life will be greatly diminished if stored in a discharged state.

Leaving the battery in the charger

The charger and battery pack can be left connected with the LED glowing indefinitely. The charger will keep the battery pack fresh and fully charged.

Charger diagnostics

If the charger detects a weak or damaged battery, the charging indicator (13) will flash red at a fast rate. Proceed as follows:

- ◆ Re-insert the battery (7).
- ◆ If the charging indicators continues flashing red at a fast rate, use a different battery to determine if the charging process works properly.
- ◆ If the replaced battery charges correctly, the original battery is defective and should be returned to a service centre for recycling.
- ◆ If the new battery gives the same indication as the original battery, take the charger to be tested at an authorised services centre.

Note: It may take as long as 30 minutes to determine that the battery is defective. If the battery is too hot or too cold, the LED will alternately blink red, fast and slow, one flash at each speed and repeat.

Switching on and off (fig. E)

Warning! Use both hands to grip the product firmly when switching on.

- ◆ To switch the appliance on, slide the on/off switch (5) forward.
- ◆ To switch the appliance off, slide the on/off switch (5) back.

Power commander (fig. F)

The power command (6) feature is located on the tool handle. It allows you to optimize the tools performance and boost the power as needed.

- ◆ To choose max power, rotate dial to setting 6. (most vacuuming tasks require max power.)
- ◆ To maximize runtime rotate dial to setting 1.
- ◆ For a combination of both, rotate dial from setting 2 to 5.

Using your product

Warning! When using as a blower or vacuum, always wear safety glasses. If using in dusty conditions, wear a filter mask as well.

Warning! Switch off your product, allow the fan to stop and remove the battery before carrying out any adjustment, servicing or maintenance.

Blow mode (fig. G and H)

- ◆ Align the blow tube (1) with the Sweeper (fig. G).
- ◆ Push the tube onto the sweeper until the lock (14) engages tightly with the blow tube.
- ◆ Align the tabs of the fan cover (15) with the sweeper (fig. H).
- ◆ Push the fan cover into the sweeper until it engages tightly with the sweeper.
- ◆ Hold the blow tube approximately 180 mm above the ground, switch on the appliance and using a sweeping motion from side to side, advance slowly keeping the accumulated debris/leaves in front of you.
- ◆ Once you have blown the debris/leaves into a pile, you can convert to vacuum mode to collect the debris.

Warning! Never operate in Blow mode without the blow tube and filter cover firmly in place.

Removing the blow/vacuum tube (fig. G and H)

- ◆ To disconnect the blow tube (1) press the lock button (14) and pull the tube off, making sure that the tube does not fall to the ground.

Warning! Never operate in Blow mode without the blow tube and filter cover firmly in place.

Vacuum mode (fig. I - L)

Note: For vacuuming/shredding, the collection bag (3) must be fitted.

- ◆ Remove the fan cover by pressing the release button (16) (fig. I)
- ◆ Align the collection bag tube (17) with the Sweeper (fig. J).
- ◆ Push the tube onto the sweeper until the lock (14) engages tightly with the collection bag tube.
- ◆ Attach the collection bag clip (18) to the collection bag hook (19) on the bottom of the sweeper (fig. K).
- ◆ Align the tabs of the vac tube (2) with the sweeper (fig. L).
- ◆ Push the vac tube into the sweeper until it engages tightly with the sweeper.
- ◆ Position the vac tube slightly above the debris/leaves. Switch on the appliance and use a sweeping motion; the debris/leaves will be sucked up the tube, shredded and thrown into the collection bag.
- ◆ For stubborn debris/leaves your vacuum tube is fitted with a scraper. Use the scraper to loosen the debris and continue to vacuum as normal.
- ◆ As the bag fills, the power of the suction will decrease, switch off the appliance and unplug battery.
- ◆ Unzip the bag to empty the contents before continuing to operate.

Warning! Never remove the collection bag without first turning off and removing the battery from the appliance.

Note: If the suction decreases and the bag is not full, the vacuum tube is probably clogged with debris. Turn off and remove the battery from the vacuum and clear the tube before continuing.

Maintenance

Your Black & Decker appliance has been designed to operate over a long period of time with a minimum of maintenance. Continuous satisfactory operation depends upon proper appliance care and regular cleaning.

- ◆ Switch off and unplug the appliance/tool.
- ◆ Or switch off and remove the battery from the appliance/tool if the appliance/tool has a separate battery pack.
- ◆ Or run the battery down completely if it is integral and then switch off.
- ◆ Unplug the charger before cleaning it. Your charger does not require any maintenance apart from regular cleaning.
- ◆ Regularly clean the ventilation slots in your tool/appliance and charger using a soft brush or dry cloth.
- ◆ Regularly clean the motor housing using a damp cloth. Do not use any abrasive or solvent-based cleaner.
- ◆ Keep the appliance clean and dry.

Protecting the environment



Separate collection. This product must not be disposed of with normal household waste.

Should you find one day that your Black & Decker product needs replacement, or if it is of no further use to you, do not dispose of it with household waste. Make this product available for separate collection.



Separate collection of used products and packaging allows materials to be recycled and used again. Re-use of recycled materials helps prevent environmental pollution and reduces the demand for raw materials.

Local regulations may provide for separate collection of electrical products from the household, at municipal waste sites or by the retailer when you purchase a new product.

Black & Decker provides a facility for the collection and recycling of Black & Decker products once they have reached the end of their working life. To take advantage of this service please return your product to any authorised repair agent who will collect them on our behalf.

You can check the location of your nearest authorised repair agent by contacting your local Black & Decker office at the address indicated in this manual. Alternatively, a list of authorised Black & Decker repair agents and full details of our after-sales service and contacts are available on the Internet at: www.2helpU.com

Batteries



At the end of their useful life, discard batteries with due care for our environment:

- ◆ Run the battery down completely, then remove it from the tool.
- ◆ NiCd, NiMH and Li-Ion batteries are recyclable. Place the battery(s) in a suitable packaging to ensure that the terminals cannot be short-circuited. Take them to any authorised repair agent or a local recycling station.
- ◆ Do not short-circuit the battery terminals.
- ◆ Do not dispose of the battery(s) in a fire as this may result in a risk of personal injury or an Explosion.

Technical data

		GWC3600L (H1)
Voltage	V _{dc}	36
No Load Speed	RPM	12700
Air Volume	m ³ /min	3.46
Weight (blower)	kg	1.72
Weight (Vacuum)	kg	2.42
Battery		BL1336
Voltage	V _{DC}	36
Capacity	Ah	1.3
Type		Li-Ion
Charger		905673** (typ. 1)
Input voltage	V _{AC}	230
Output voltage	V _{DC}	36
Current	mA	1300

Hand/Arm weighted vibration value according to EN 60745:

Vibration emission value (a_{hv}) < 2.5 m/s², uncertainty (K) 1.5 m/s²

L_{PA} (measure sound pressure) 81 dB(A), Uncertainty = 3 dB(A)

L_{WA} (guaranteed sound power) 95 dB(A), Uncertainty = 3 dB(A)

**EC declaration of conformity
MACHINERY DIRECTIVE
OUTDOOR NOISE DIRECTIVE**



GWC3600L

Black & Decker declares that these products described under "technical data" are in compliance with:

2006/42/EC, 2004/108/EC
EN 60335-1

2000/14/EC, Blow Vac, Annex V

KEMA Quality B.V., Utrechtseweg 310, 6802 ED Arnhem, The Netherlands
Notified Body ID No.: 0344

Level of acoustic power according to 2000/14/EC (Article 13, Annex III):

L_{PA} (measure sound power) 92 dB(A) Uncertainty = 3 dB(A)
 L_{WA} (guaranteed sound power) 95 dB(A) Uncertainty = 3 dB(A)

These products also comply with directive 2004/108/EC & 2011/65/EU.

For more information, please contact Black & Decker at the following address or refer to the back of the manual.

The undersigned is responsible for compilation of the technical file and makes this declaration on behalf of Black & Decker.

Kevin Hewitt
Vice-President Global Engineering
Black & Decker Europe, 210 Bath Road, Slough,
Berkshire, SL1 3YD
United Kingdom
06/03/2012

Guarantee

Black & Decker is confident of the quality of its products and offers an outstanding guarantee. This guarantee statement is in addition to and in no way prejudices your statutory rights. The guarantee is valid within the territories of the Member States of the European Union and the European Free Trade Area.

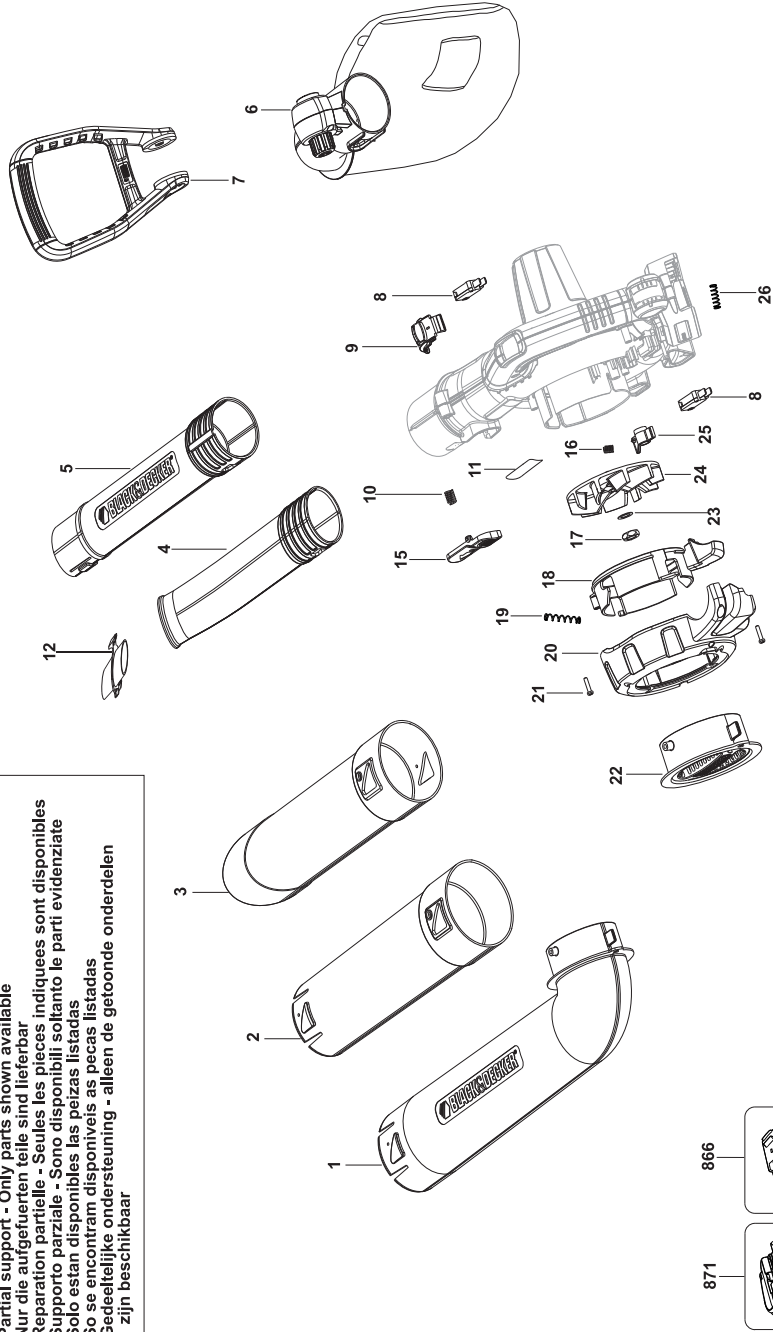
If a Black & Decker product becomes defective due to faulty materials, workmanship or lack of conformity, within 24 months from the date of purchase, Black & Decker guarantees to replace defective parts, repair products subjected to fair wear and tear or replace such products to ensure minimum inconvenience to the customer unless:

- ◆ The product has been used for trade, professional or hire purposes;
- ◆ The product has been subjected to misuse or neglect;
- ◆ The product has sustained damage through foreign objects, substances or accidents;
- ◆ Repairs have been attempted by persons other than authorised repair agents or Black & Decker service staff.

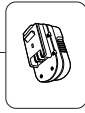
To claim on the guarantee, you will need to submit proof of purchase to the seller or an authorised repair agent. You can check the location of your nearest authorised repair agent by contacting your local Black & Decker office at the address indicated in this manual. Alternatively, a list of authorised Black & Decker repair agents and full details of our after-sales service and contacts are available on the Internet at: www.2helpU.com

Please visit our website www.blackanddecker.co.uk to register your new Black & Decker product and to be kept up to date on new products and special offers. Further information on the Black & Decker brand and our range of products is available at www.blackanddecker.co.uk

Partial support - Only parts shown available
 Nur die aufgeführten teile sind lieferbar
 Reparation partielle - Seules les piéces indiquées sont disponibles
 Supporto parziale - Sono disponibili soltanto le parti evidenziate
 Solo estan disponibles las pezas listadas
 So se encontram disponíveis as peças listadas
 Gedeeltelijke ondersteuning - alleen de getoonde onderdelen
 zijn beschikbaar



866



871



Australia

Black & Decker (Australia) Pty. Ltd.
20 Fletcher Road, Mooroolbark,
Victoria, 3138

Tel. 03-8720 5100
Fax 03-9727 5940

New Zealand

Black & Decker
5 Te Apunga Place
Mt Wellington
Auckland 1060

Tel. +64 9 259 1133
Fax +64 9 259 1122

United Kingdom

Black & Decker
210 Bath Road
Slough, Berkshire SL1 3YD

Tel. 01753 511234
Fax 01753 551155

ENGLISH

Do not forget to register your product!

www.blackanddecker.co.uk/productregistration

Register your product online at **www.blackanddecker.co.uk/productregistration** or send your name, surname and product code to Black & Decker in your country.